

Singer 81-7

Form 20139
(148)
Printed in U. S. A.

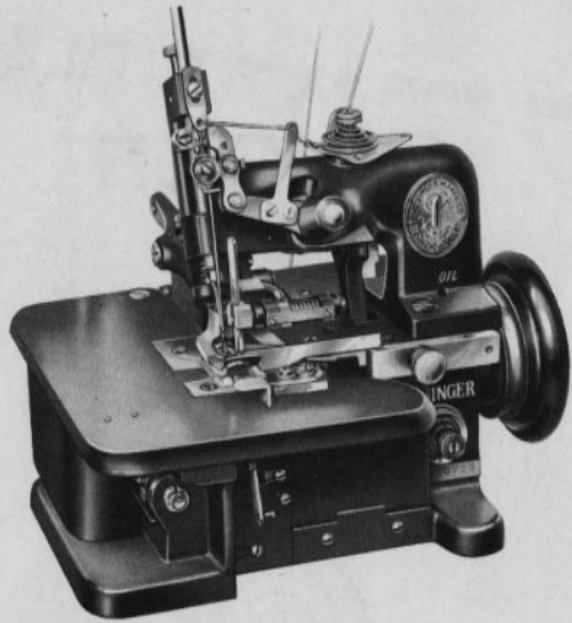
FORM FOR M. T. D. FILE
SINGER**

81-7



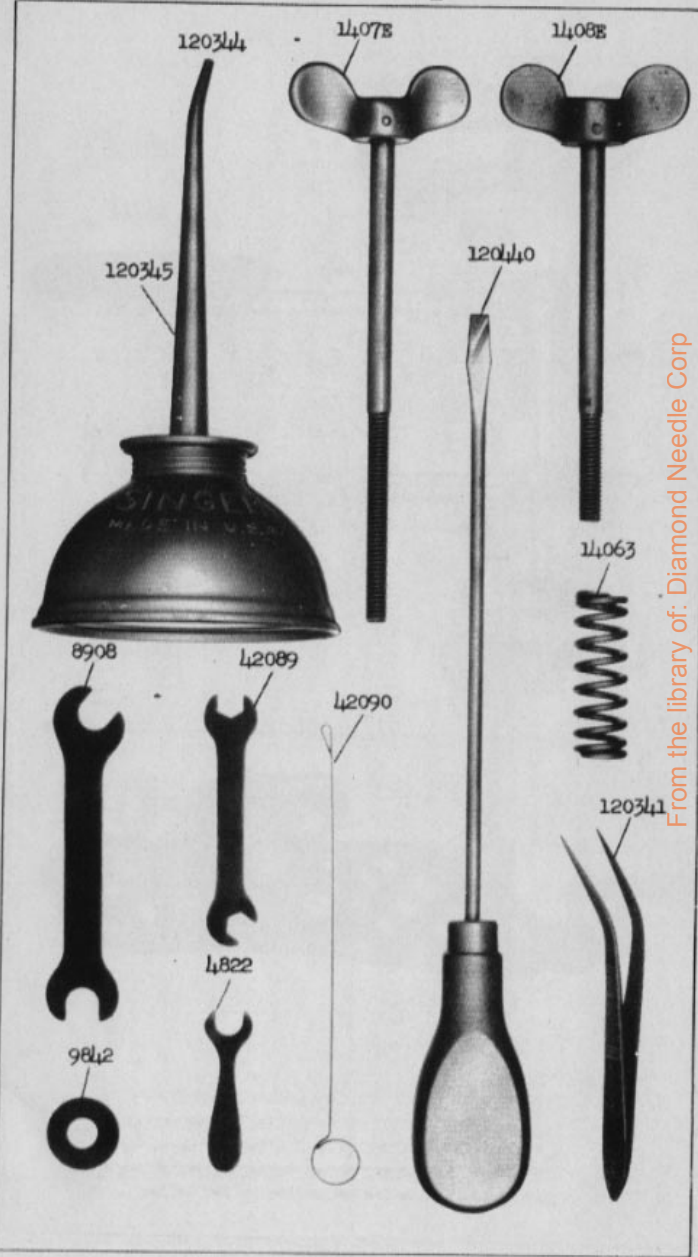
** REG. U. S. PAT. OFF. BY
THE SINGER MANUFACTURING COMPANY

From the library of: Diamond Needle Corp

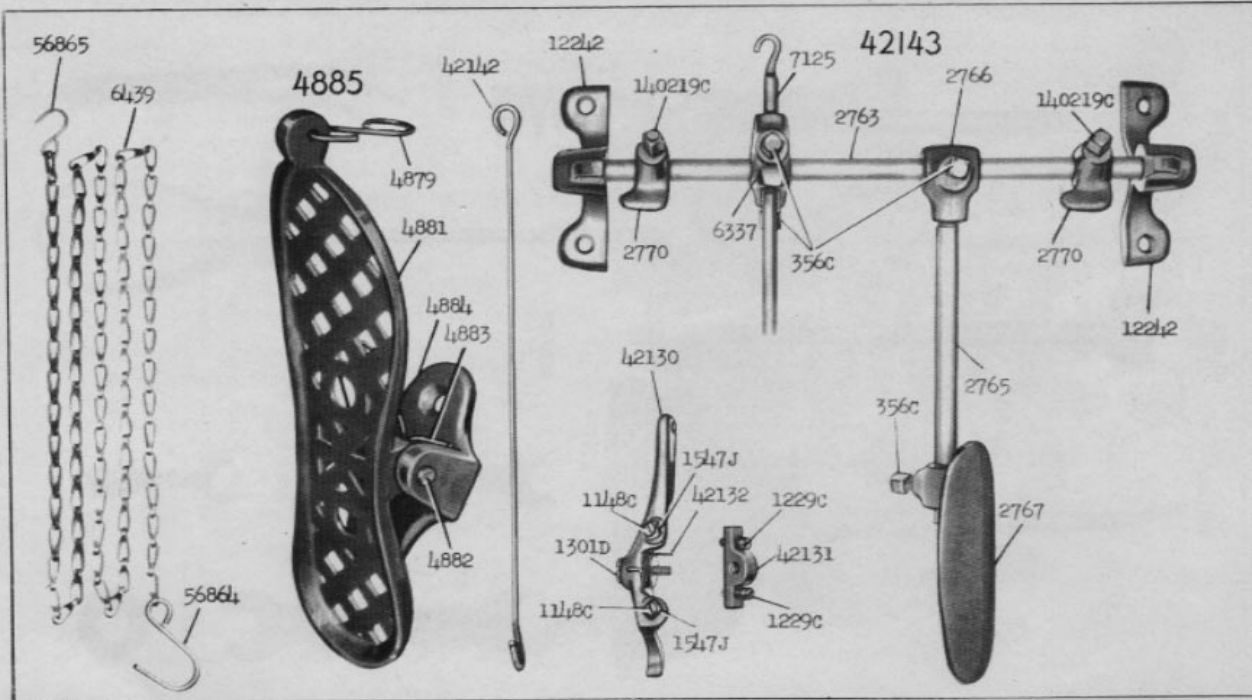


Copyright, U. S. A., 1914, 1939 and 1948
 by The Singer Manufacturing Co.
 All Rights Reserved for all Countries

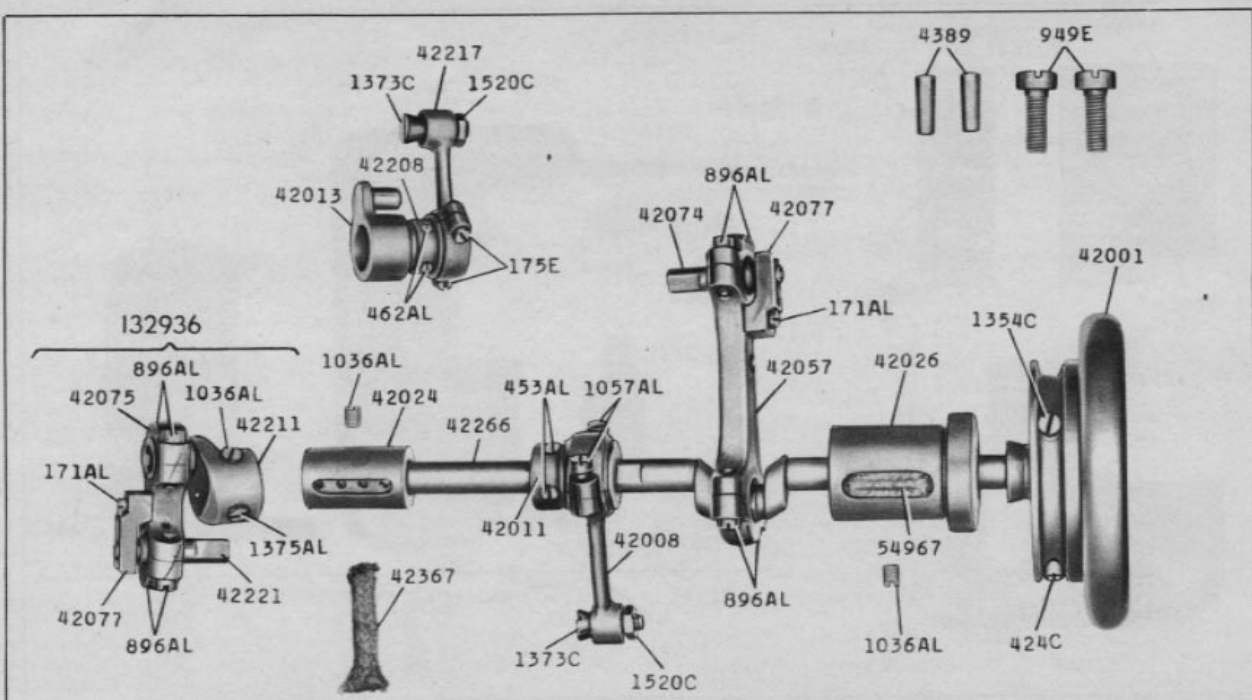
23043 - 1/2



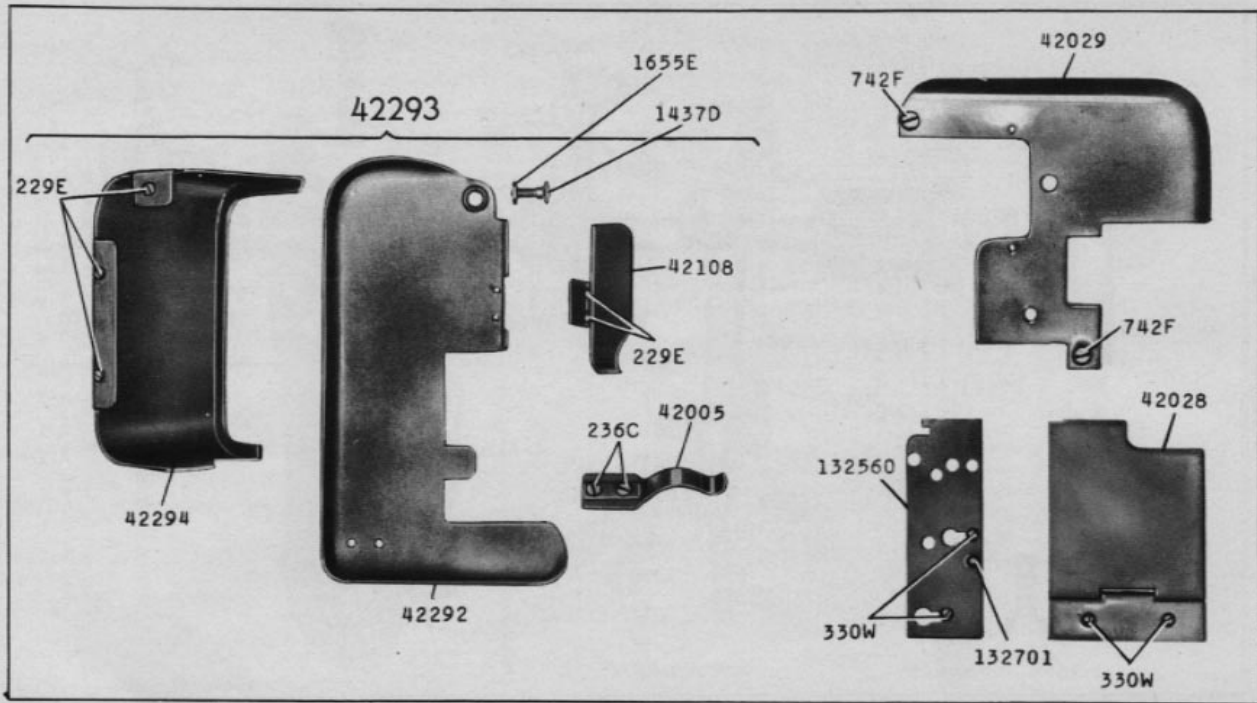
From the library of: Diamond Needle Corp



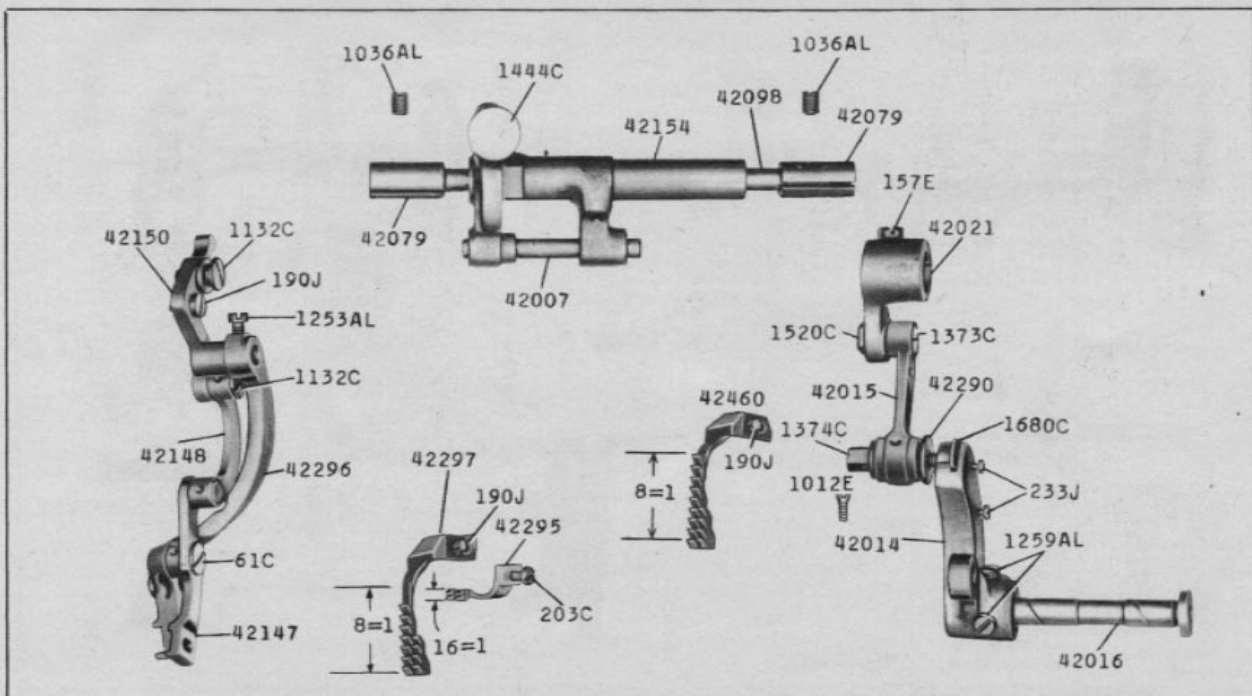
23057 - 1/3



23059 - 1/2

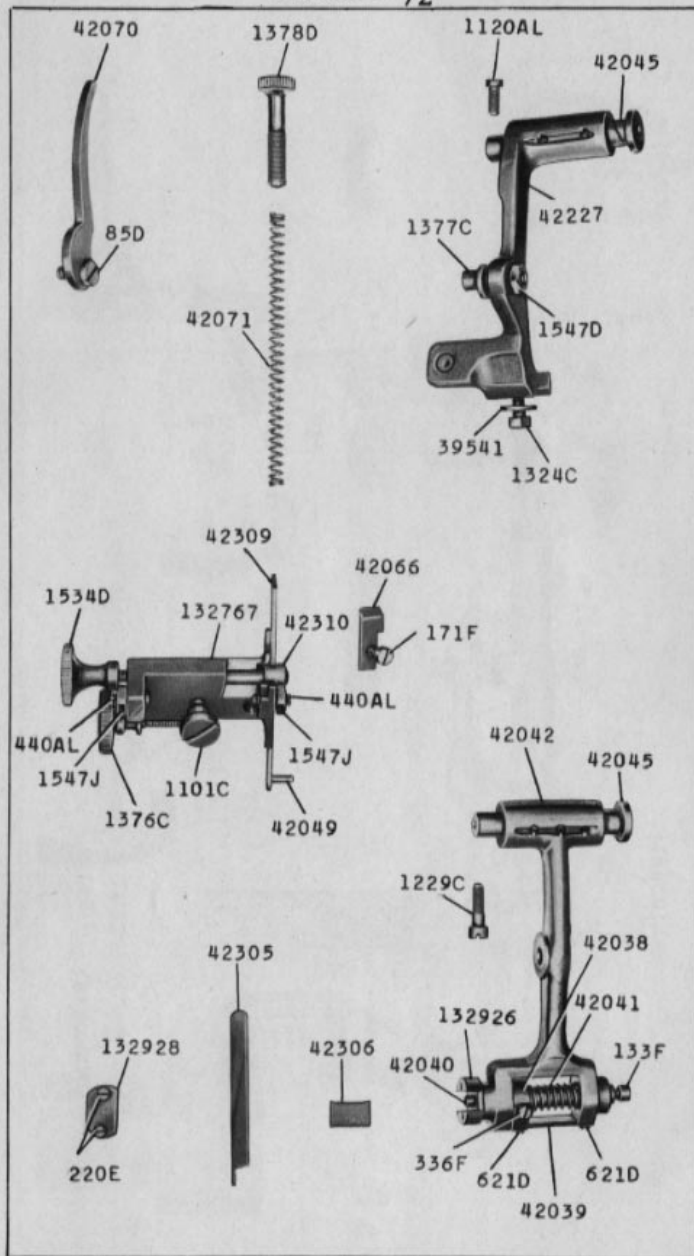


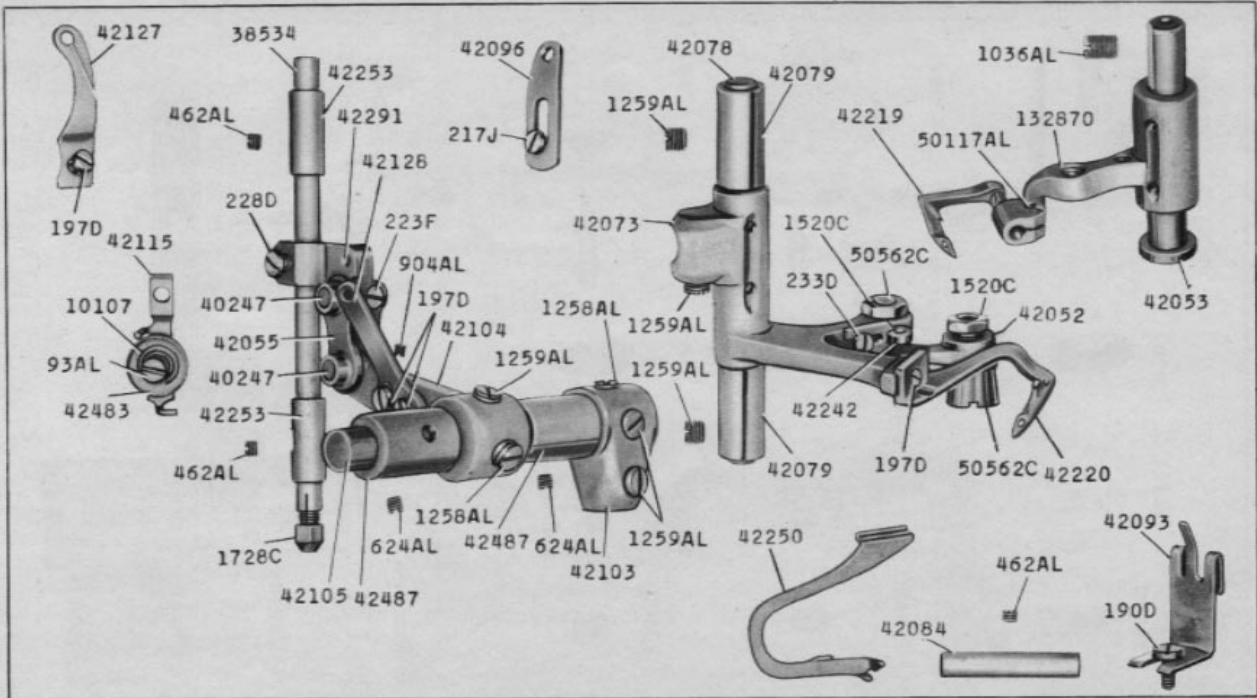
23061 - 1/3



23063 - 1/2

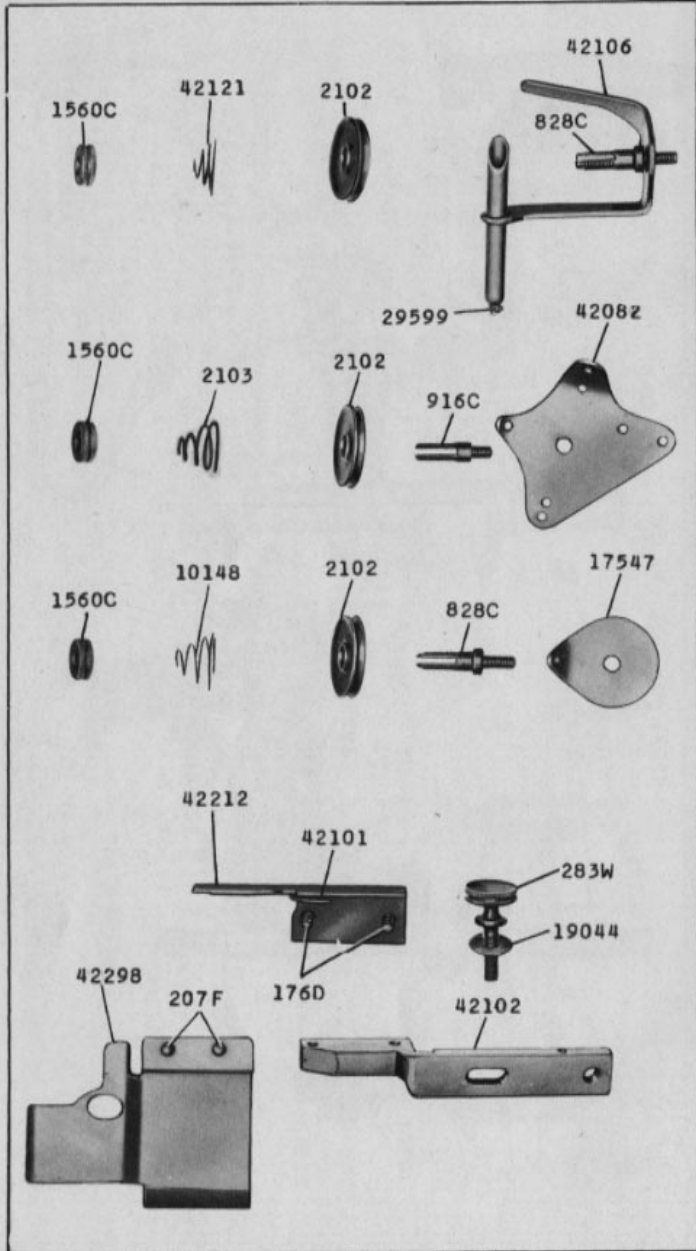
23065 - 1/2



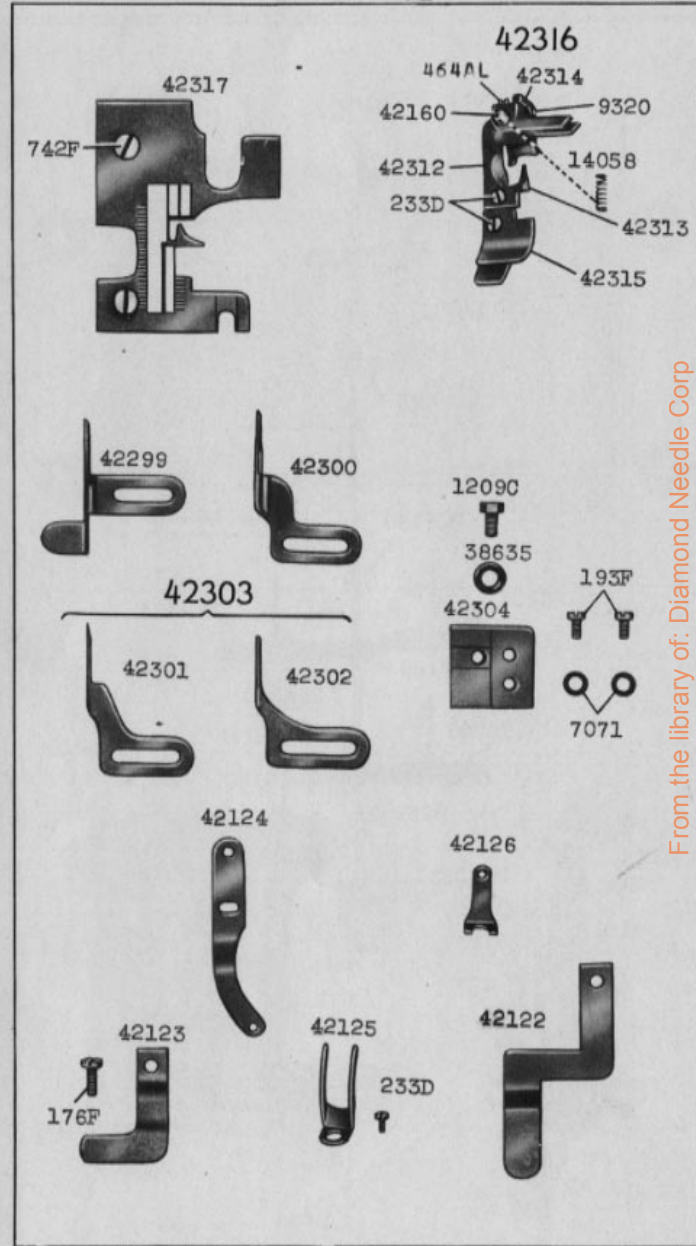


23066 - 2/3

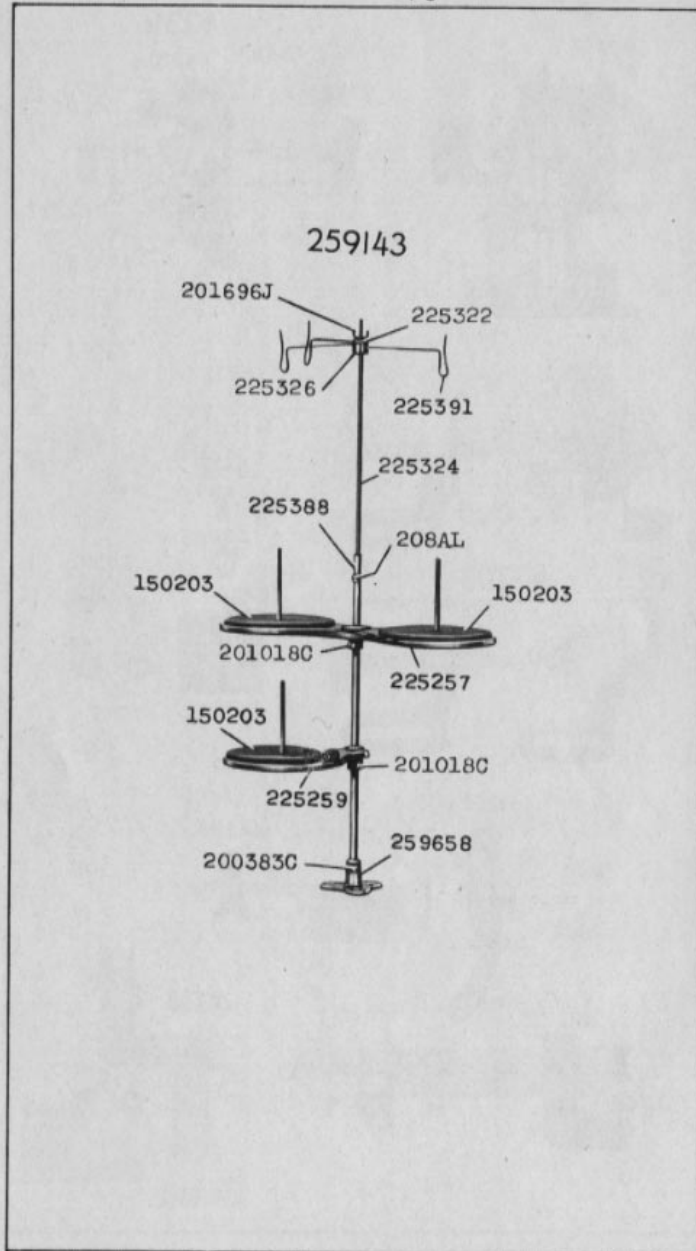
23068 - 1/2



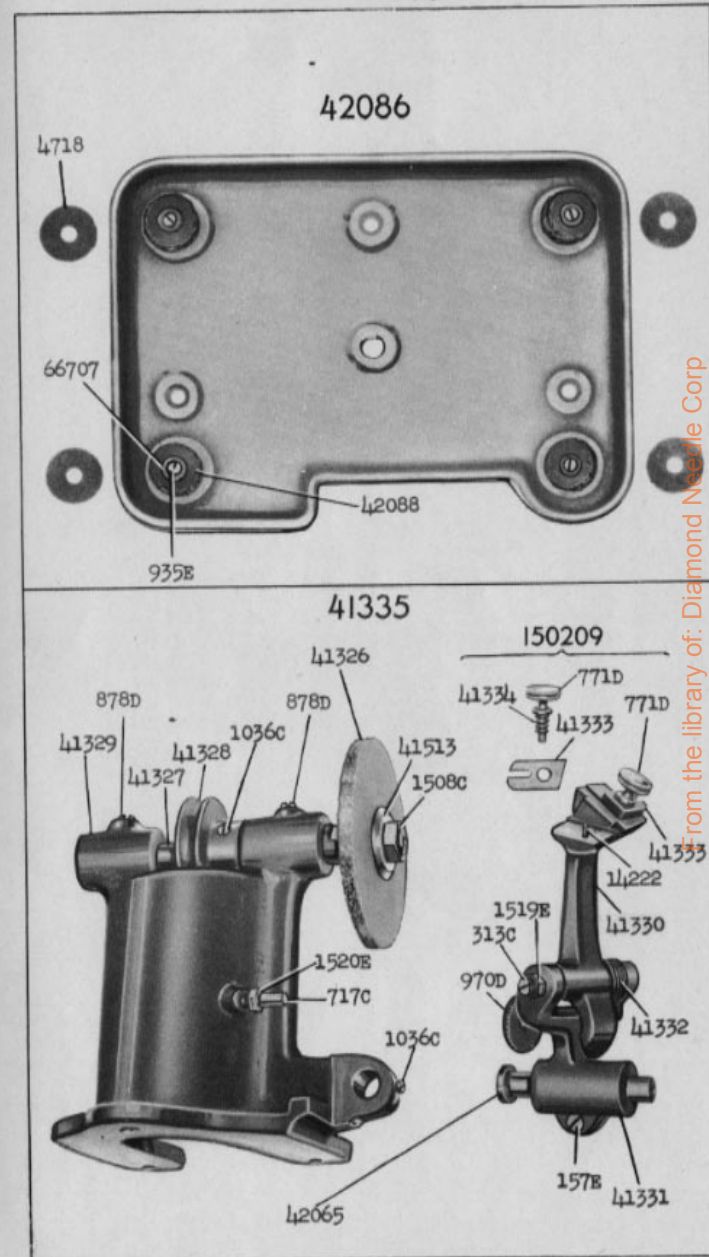
23070 - 1/2



23071 - 1/6



23072 - 1/3



from the library of: Diamond Needle Corp